

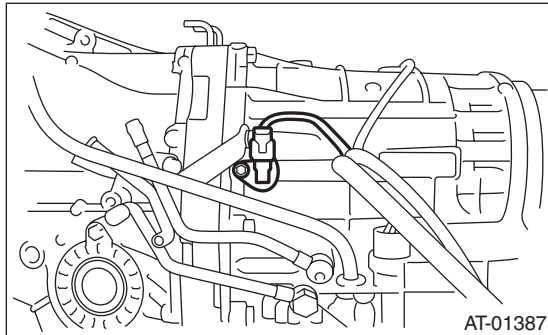
Turbine Speed Sensor 1

AUTOMATIC TRANSMISSION

16. Turbine Speed Sensor 1

A: REMOVAL

- 1) Lift-up the vehicle.
- 2) Remove the intercooler. (Turbo model) <Ref. to IN(H4DOTC)-12, REMOVAL, Intercooler.>
- 3) Remove the air intake chamber. (Non-turbo model) <Ref. to IN(H6DO)-7, REMOVAL, Air Intake Chamber.>
- 4) Disconnect the turbine speed sensor 1 connector.



- 5) Remove the turbine speed sensor 1.

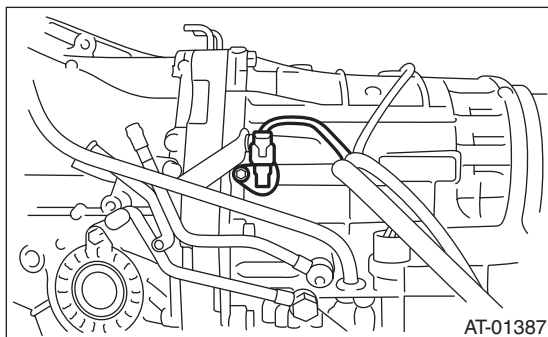
B: INSTALLATION

- 1) Install the turbine speed sensor 1.

Tightening torque:

7 N·m (0.7 kgf·m, 5.2 ft·lb)

- 2) Connect the turbine speed sensor 1 connector.



- 3) Install the intercooler. (Turbo model) <Ref. to IN(H4DOTC)-12, INSTALLATION, Intercooler.>
- 4) Install the air intake chamber. (Non-turbo model) <Ref. to IN(H6DO)-7, INSTALLATION, Air Intake Chamber.>