

Body Sealing

BODY STRUCTURE

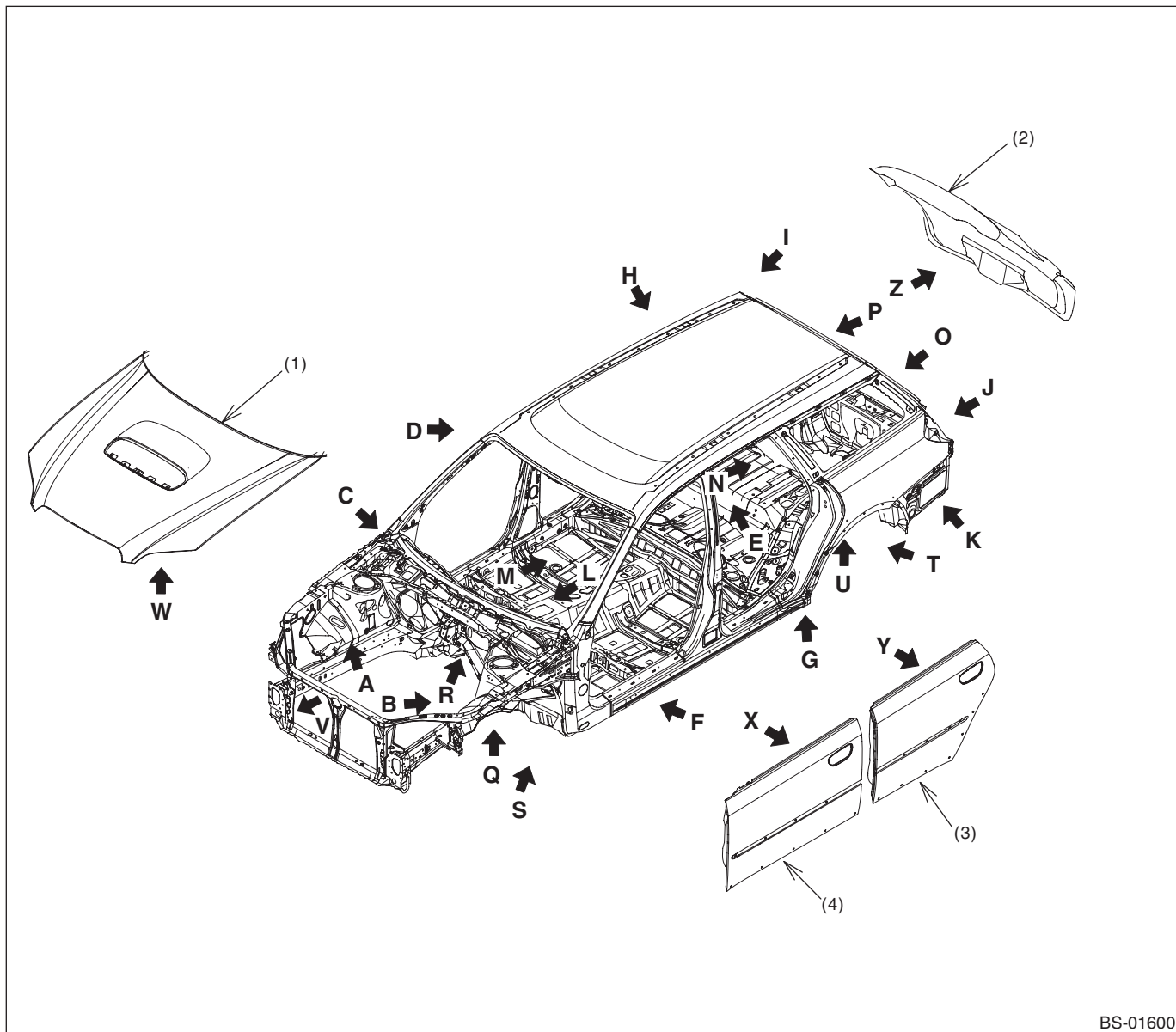
5. Body Sealing

A: SPECIFICATION

Used material:

THREE BOND 4104 (004403063)

- Common for wagon and sedan model



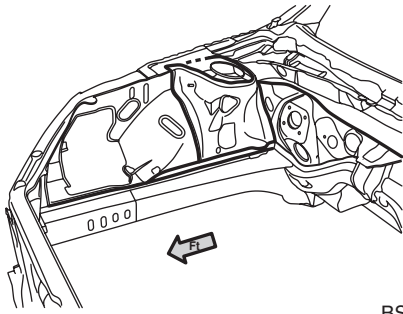
BS-01600

- (1) Front hood
(2) Rear Gate

(3) Rear door

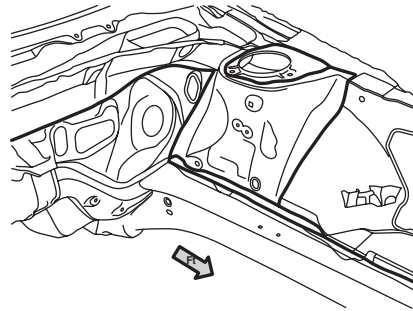
(4) Front door

View A



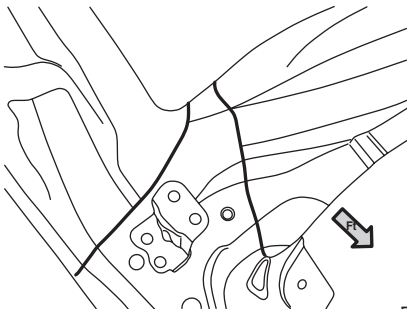
BS-01498

View B



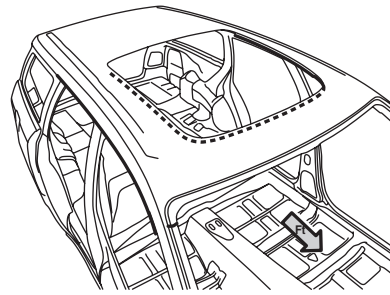
BS-01499

View C



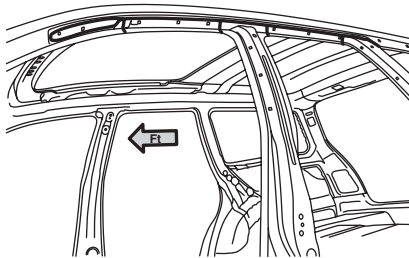
BS-00734

View D



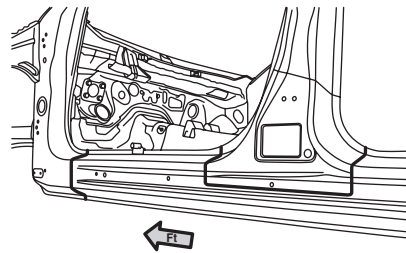
BS-00735

View E



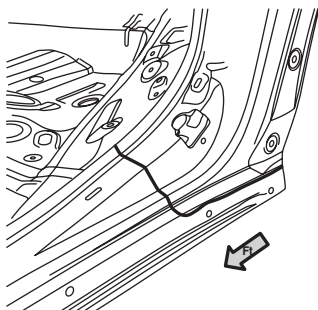
BS-00736

View F



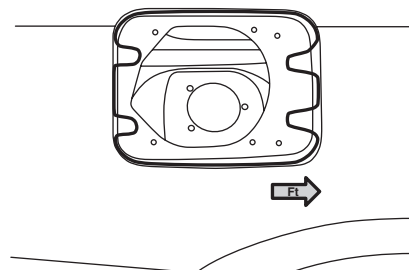
BS-01601

View G



BS-00738

View H

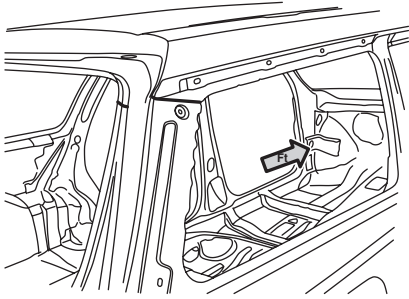


BS-00739

Body Sealing

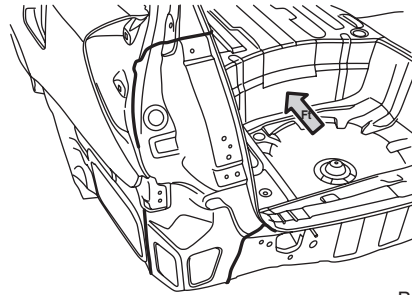
BODY STRUCTURE

View I



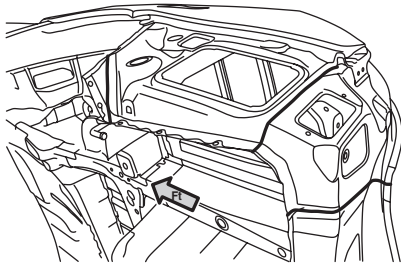
BS-00740

View J



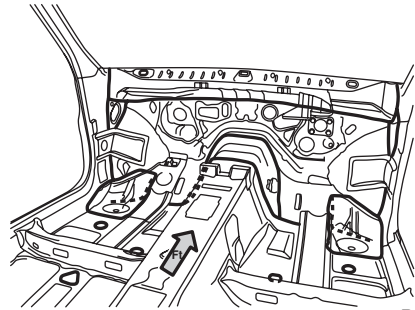
BS-00741

View K



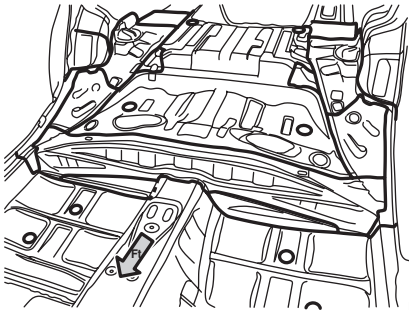
BS-00742

View L



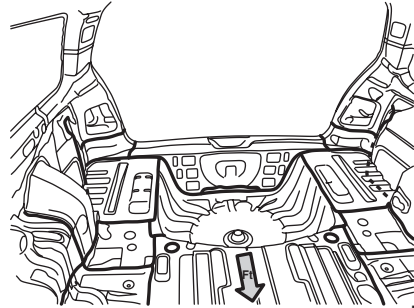
BS-00743

View M



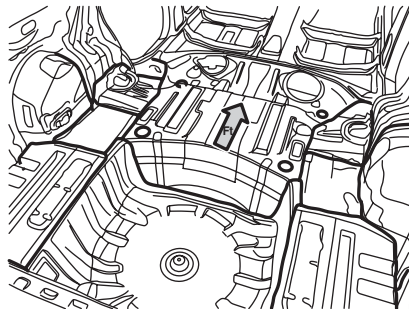
BS-00744

View N



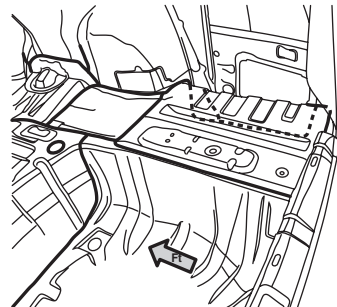
BS-00745

View O



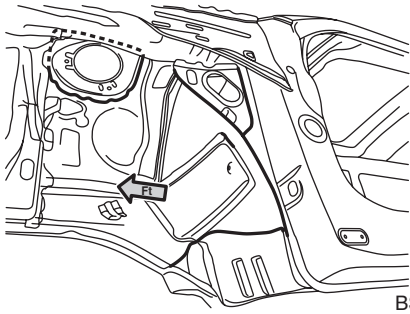
BS-00746

View P



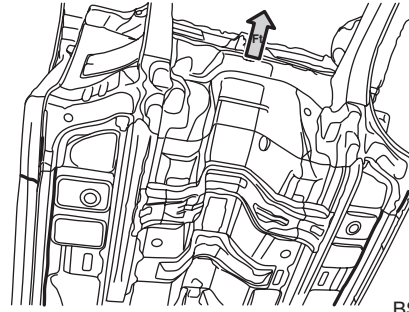
BS-00747

View Q



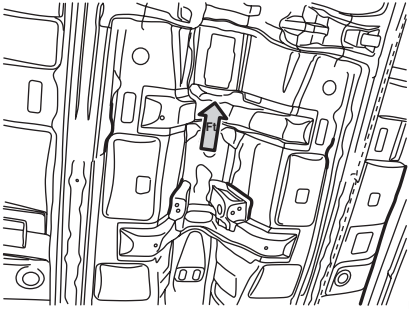
BS-00748

View R



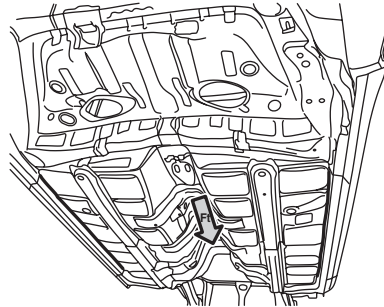
BS-01500

View S



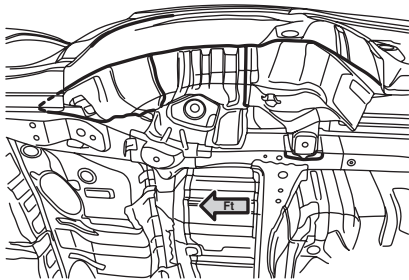
BS-01501

View T



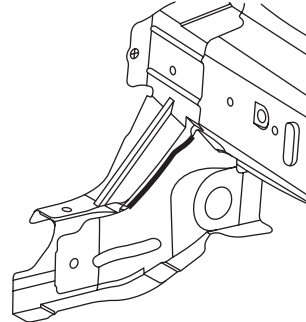
BS-01502

View U



BS-01602

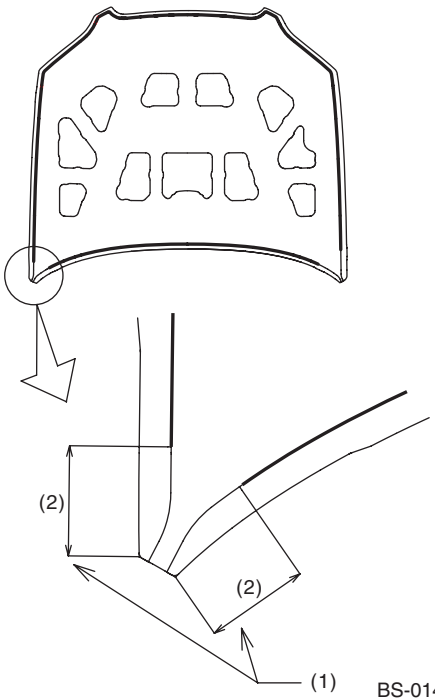
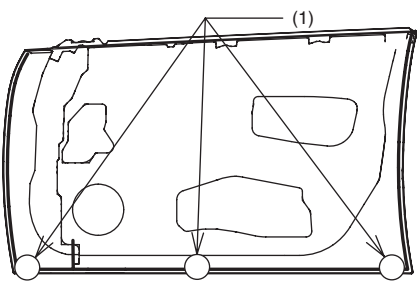
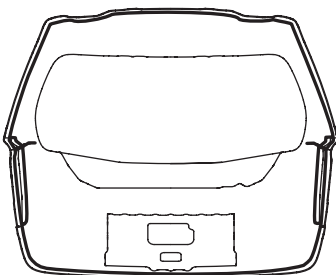
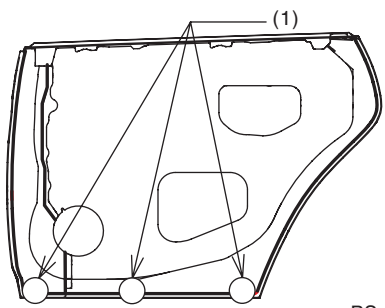
View V



BS-01610

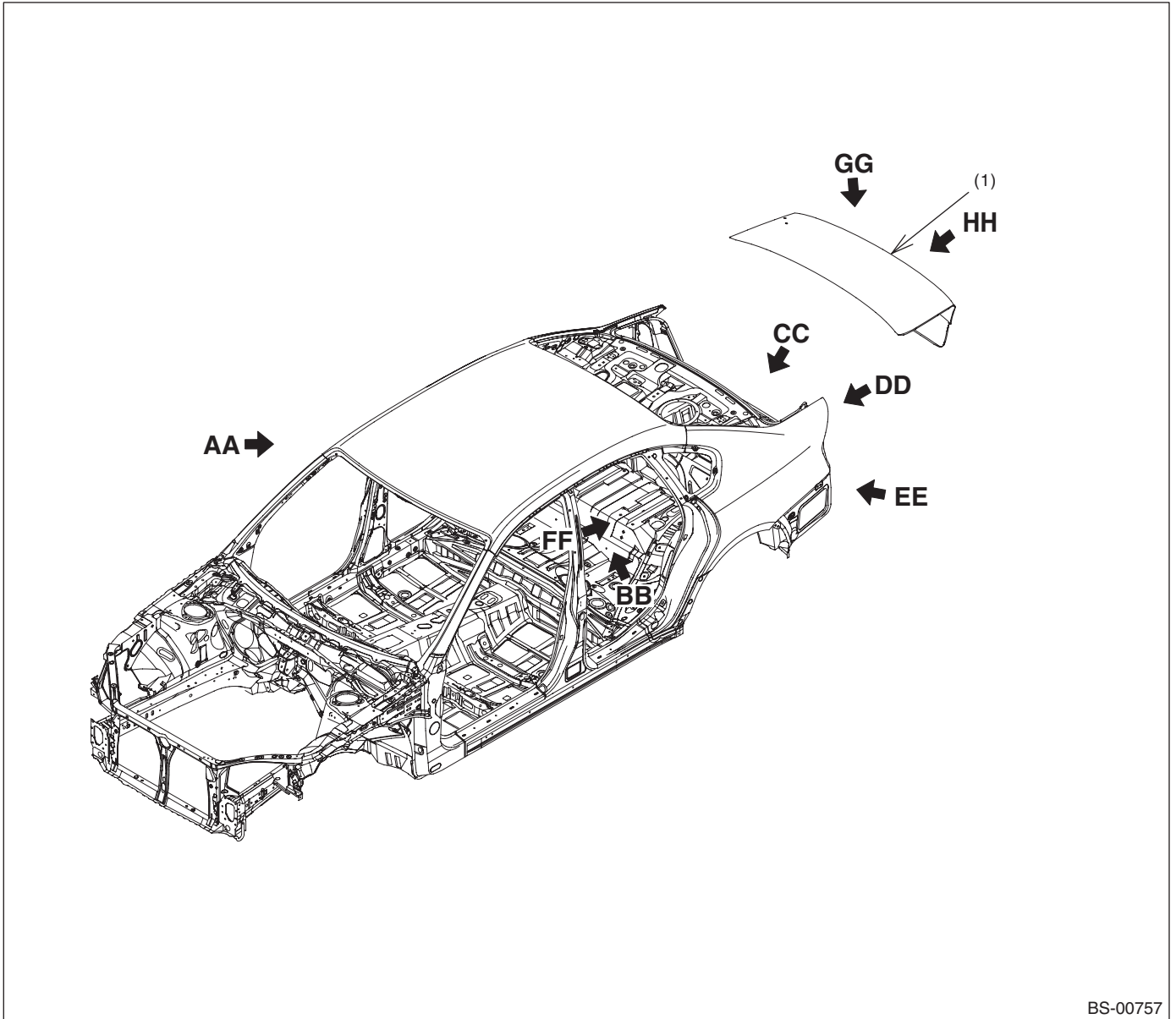
Body Sealing

BODY STRUCTURE

<p>View W</p>  <p>(1) Application not required. (2) 50 mm (1.97 in)</p> <p>BS-01436</p>	<p>View X</p>  <p>BS-00754</p> <p>(1) Do not block the water drain holes.</p>
<p>View Z</p>  <p>BS-00756</p>	<p>View Y</p>  <p>BS-00755</p> <p>(1) Do not block the water drain holes.</p> <p style="text-align: center;">SUBARU.</p>

CAUTION:
Sealer already has been applied to hood, door, and rear gate in replacement condition.

- Sedan model

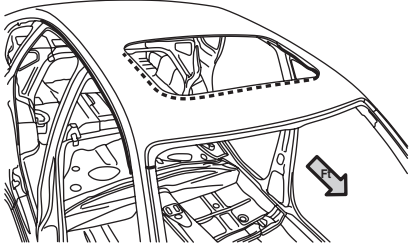
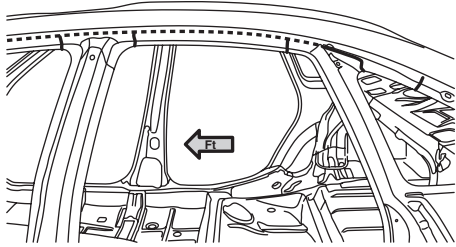
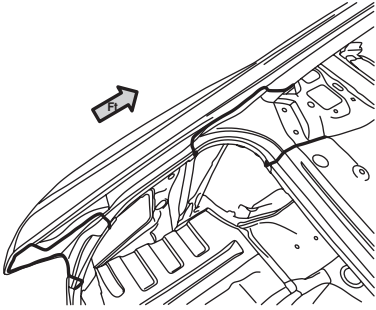
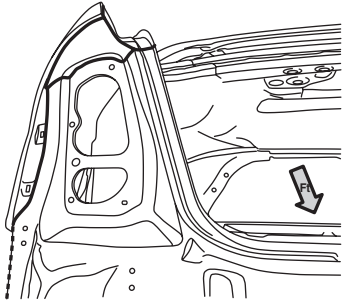
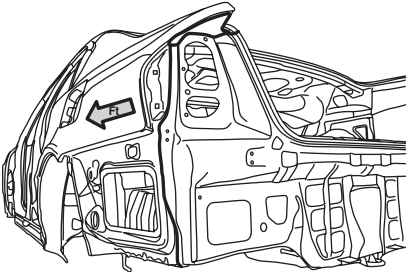
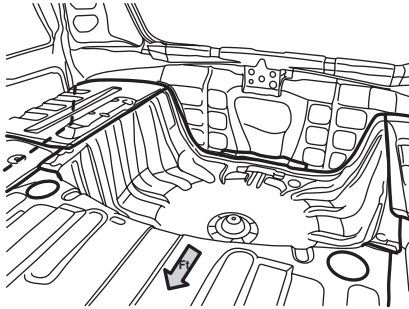
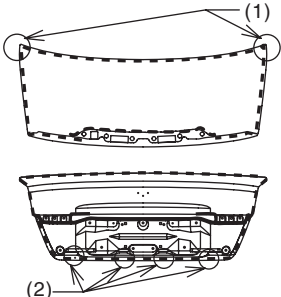


BS-00757

(1) Trunk

Body Sealing

BODY STRUCTURE

<p>View AA</p>  <p>BS-00758</p>	<p>View BB</p>  <p>BS-00759</p>	
<p>View CC</p>  <p>BS-00760</p>	<p>View DD</p>  <p>BS-00761</p>	
<p>View EE</p>  <p>BS-00762</p>	<p>View FF</p>  <p>BS-00763</p>	
<p>View GG View HH</p>  <p>(1)</p> <p>(2)</p> <p>BS-00764</p> <p>(1) The holes shall be blocked. (2) Do not block the water drain holes.</p>		<p>SUBARU.</p>

CAUTION:
Sealer already has been applied to the trunk in replacement condition.